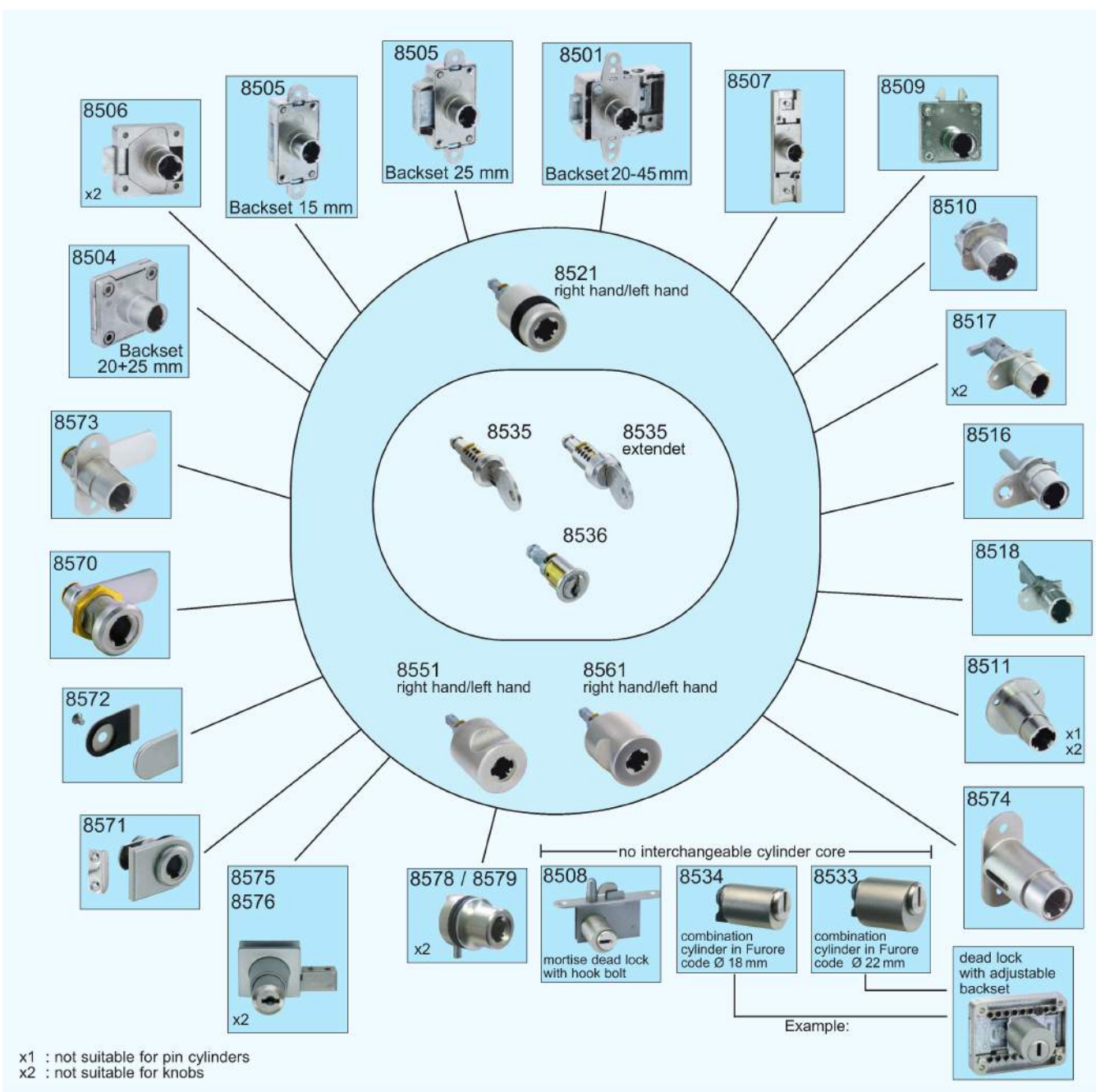




*Bestklassene
Sache!*





Furore is the most multifaceted locking system for furniture with interchangeable cylinder cores and offers individual solutions for various requirements.

The cylinder core can be assembled and replaced at any time – even afterwards on-site. Thus, locking plans are flexible and can be adjusted without problems.

System characteristics

- Exchangeable cylinder cores with pin or discs tumblers with up to 30,000 different codes
- Drilling measure for cylinder cores 18mm
- Knobs with/without lock function or fixed knobs
- Various locks (dead and latch locks, lever locks, espagnolette and basquill dead locks) with different and adjustable backset (15 to 45mm) and suitable for all directions (right, left, down)
- Central locking systems
- Cylinders and locks for different thickness and types of material (wood, steel, glass, plastic)
- Dual system for espagnolette locks: Usage of divided profile rods \varnothing 6mm or \varnothing 8mm without adaption possible
- All lock types can be integrated into existing JuNie-System by combination cylinder

Applications

e.g. locking systems in offices, hospitals, hotels, public utilities, sports facilities, fitness centres, etc

System Furore Interchangeable cylinder cores



Interchangeable cylinder cores

Article 8535

Metal cylinder core, 5 disc tumblers

8535.xxxxx.026 accessories (included)

1 x 7416 Rose

page 16.20

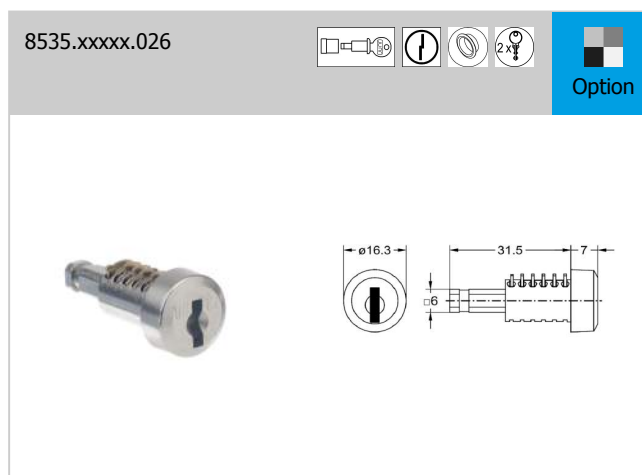
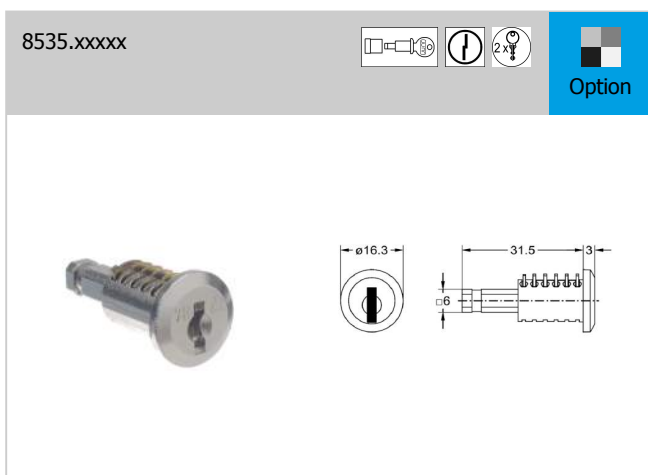
Compatible to disc tumbler cylinders on page 04.06

Additional information

System possible with master key 0592

Without master key function on request

References



article-no.	finish	code	thickness	pack.	stock
8535.00002	nickel plated	keyed different	up to 19 mm	10 pcs	✓
8535.00002:FP7.7001	nickel plated	7001	up to 19 mm	10 pcs	✓
8535.00002:FP7.7002	nickel plated	7002	up to 19 mm	10 pcs	✓
8535.00002:FP7.7003	nickel plated	7003	up to 19 mm	10 pcs	✓
8535.00002:FP7.7004	nickel plated	7004	up to 19 mm	10 pcs	✓
8535.00002:FP7.7005	nickel plated	7005	up to 19 mm	10 pcs	✓
8535.00002:FP7.7006	nickel plated	7006	up to 19 mm	10 pcs	✓
8535.00002:FP7.7007	nickel plated	7007	up to 19 mm	10 pcs	✓
8535.00002:FP7.7008	nickel plated	7008	up to 19 mm	10 pcs	✓
8535.00002:FP7.7009	nickel plated	7009	up to 19 mm	10 pcs	✓
8535.00002:FP7.7010	nickel plated	7010	up to 19 mm	10 pcs	✓
8535.00002.026	nickel plated	keyed different	up to 26 mm	10 pcs	

01
02
03
04
05
06
07
08
09
10
11
12
13
14
15
16
17
18

Keys for Furore 8535

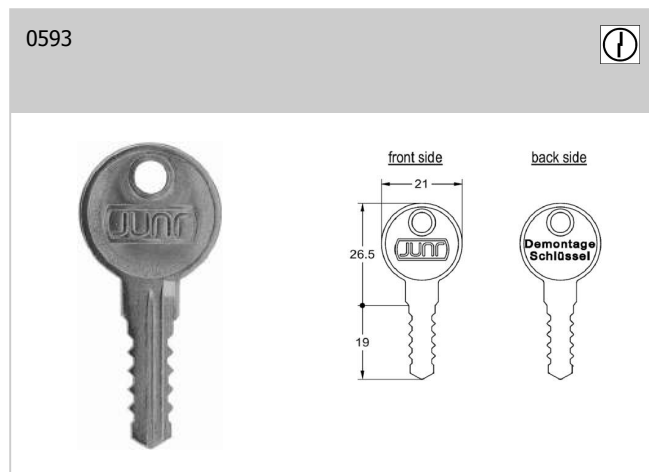
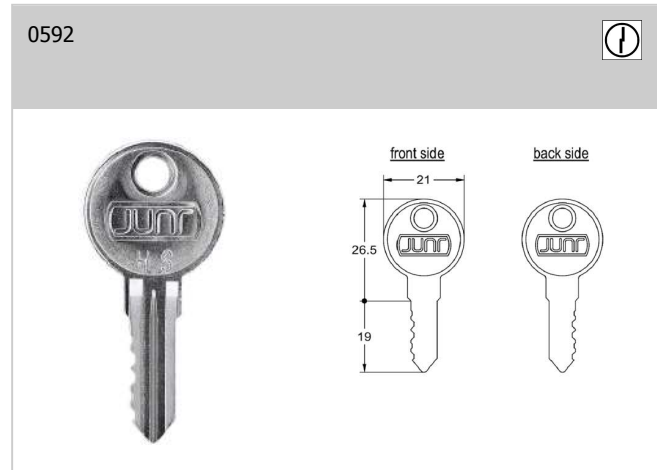
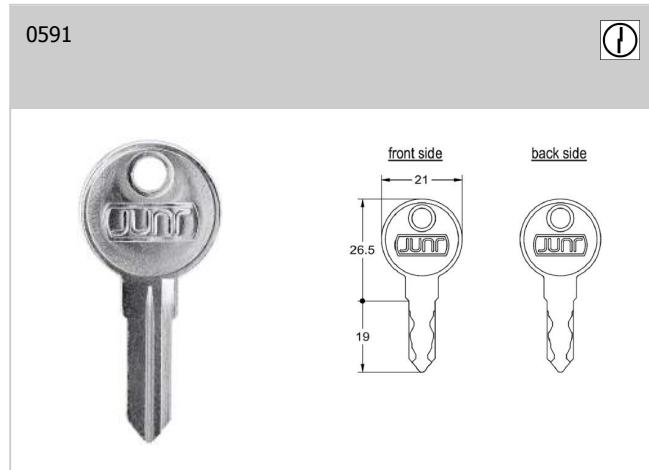
Article 0591, 0592

Steel key, on request also available as folding key with plastic head

0594 or with plastic cap 0590

Article 0593

Metal key



article-no.	description	finish	code	for article	pack.	stock
0591.00002	Reversible key blanks	nickel plated	without cuts	8533, 8534, 8535	50 pcs	✓
0591.00002:888	Reversible keys	nickel plated	as specified	8533, 8534, 8535	1 pcs	✓
0592.00002	Masterkey	nickel plated		8533, 8534, 8535	1 pcs	✓
0593.00031	Dismounting keys	metal untreated		8535	1 pcs	✓

System Furore Interchangeable cylinder cores



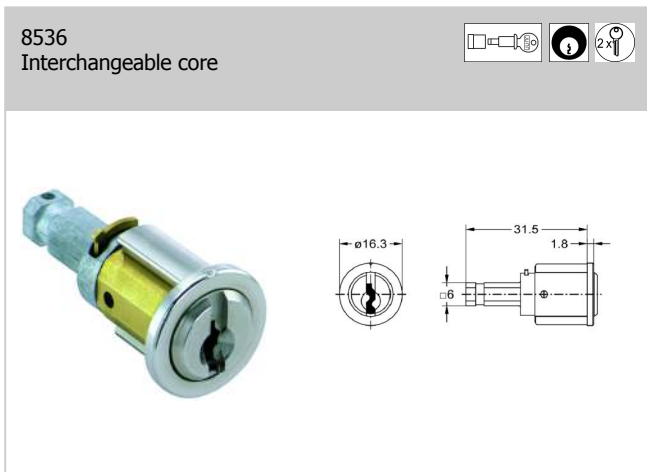
*Bestimmte
Sache!*

Interchangeable cylinder cores

Article 8536

Brass cylinder core; 10 pin tumblers;

Up to 6750 different codes



article-no.	finish	code	thickness	pack.	stock
8536.00002	nickel plated visible surface	keyed different	up to 19 mm	5 pcs	✓

- 01
- 02
- 03
- 04
- 05
- 06
- 07
- 08
- 09
- 10
- 11
- 12
- 13
- 14
- 15
- 16
- 17
- 18

Keys and accessories for Furore 8536

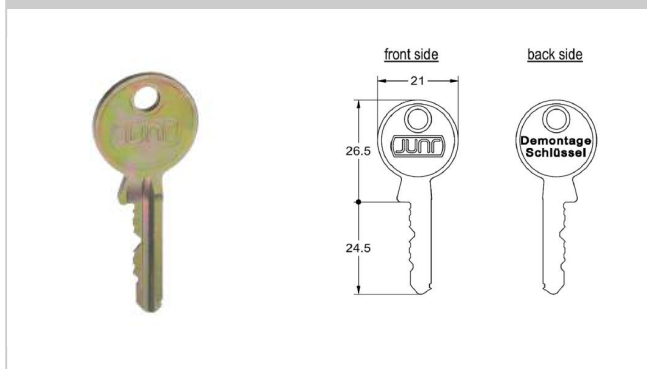
Article 0583, 0584

Steel key

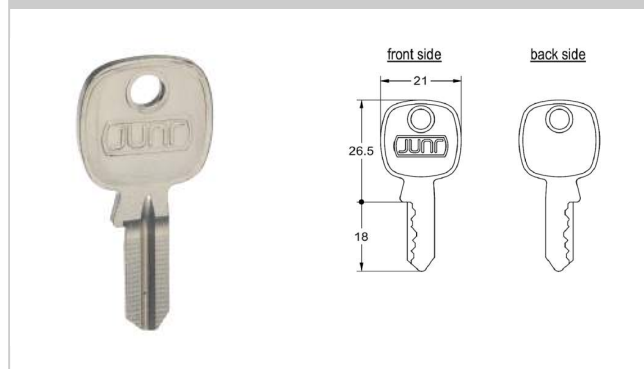
Article 0588

Plastic key head; black

0583



0584



0588



article-no.	description	finish	code	for article	pack.	stock
0583.00024	Dismounting keys	zinc-coated, blue passivated		8536	1 pcs	
0584.18002	key blank	nickel plated	without cuts	8536	25 pcs	
0584.18002:888	Keys with cuts	nickel plated	as specified	8536	1 pcs	
0588.00005	protection cover	black		584	25 pcs	

Dead locks and latch locks

Article 8504

Dead lock, surface mount; metal case; with lateral dead bolt

Article 8506

Latch lock; surface mount; metal case

Additional information

Compatible knobs on pages 02.10-02.12

Art. accessories (excluded)

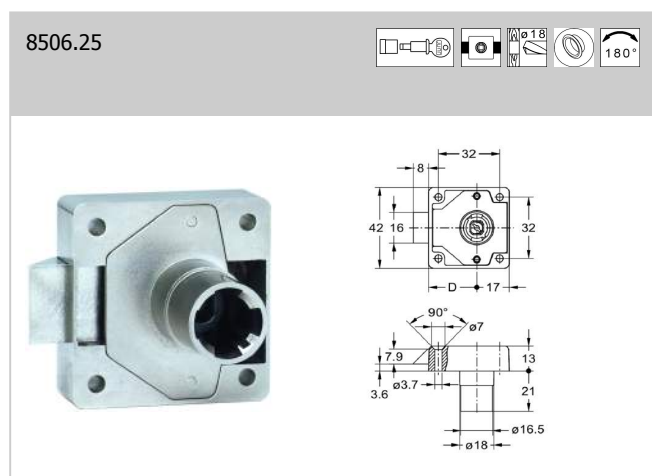
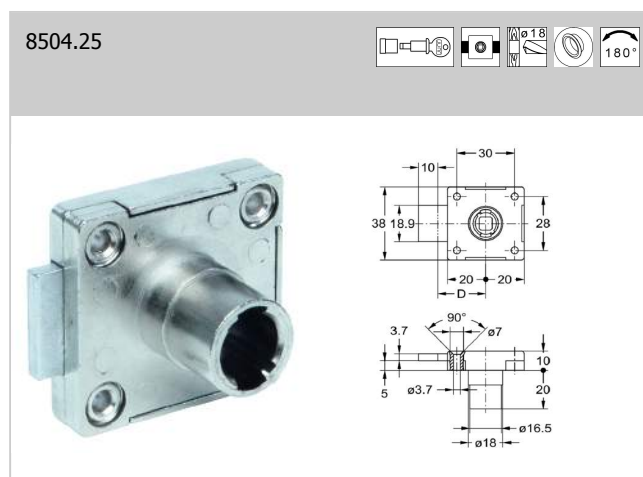
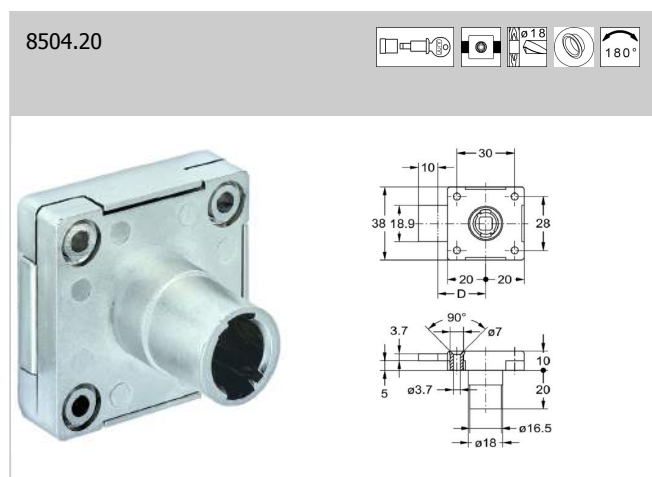
8535 Interchangeable cylinder core page 02.3

8536 Interchangeable core page 02.5

8506.25 accessories (excluded)

1 x 2522 Strike plate page 16.27

1 x 2713 Strike plate page 16.25



article-no.	backset D	finish	pack.	stock
8504.20002	20 mm	nickel plated	10 pcs	✓
8504.25002	25 mm	nickel plated	10 pcs	✓
8506.25002	25 mm	nickel plated	5 pcs	✓



*Bezeichnete
Sache!*

Dead locks or espagnolette locks

Article 8501

Surface mounted; metal case; with lateral bolt

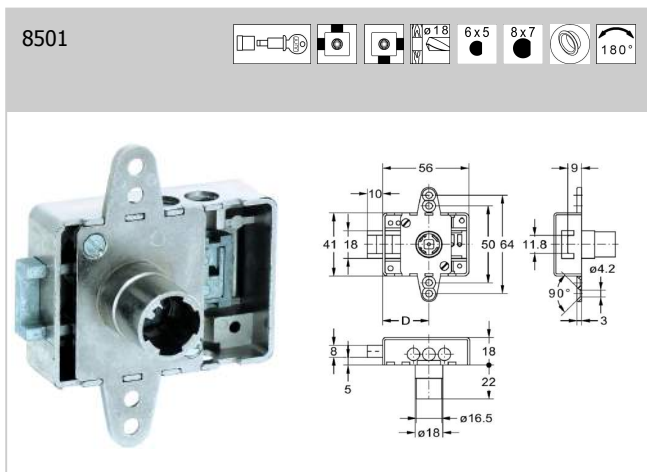
Also available with mounted dowels (2517, 2518)

Additional information

Compatible knobs on pages 02.10-02.12

Art. accessories (excluded)

0065 Rod ø6	page 16.2
0087 Rod ø8	page 16.3
2401 Complete accessories set for fix assembly	page 16.5
2402 Complete accessories set for fit assembly	page 16.5
8535 Interchangeable cylinder core	page 02.3
8536 Interchangeable core	page 02.5



article-no.	backset	swing direction	finish	rods	pack.	stock
8501.20102	20 mm	right/down	nickel plated	6x5 divided and undivided or 8x7 divided	10 pcs	
8501.20202	20 mm	left/up	nickel plated	6x5 divided and undivided or 8x7 divided	10 pcs	
8501.25102	25 mm	right/down	nickel plated	6x5 divided and undivided or 8x7 divided	10 pcs	✓
8501.25202	25 mm	left/up	nickel plated	6x5 divided and undivided or 8x7 divided	10 pcs	✓
8501.30102	30 mm	right/down	nickel plated	6x5 divided and undivided or 8x7 divided	10 pcs	✓
8501.30202	30 mm	left/up	nickel plated	6x5 divided and undivided or 8x7 divided	10 pcs	✓
8501.35102	35 mm	right/down	nickel plated	6x5 divided and undivided or 8x7 divided	10 pcs	
8501.35202	35 mm	left/up	nickel plated	6x5 divided and undivided or 8x7 divided	10 pcs	
8501.40102	40 mm	right/down	nickel plated	6x5 divided and undivided or 8x7 divided	10 pcs	
8501.40202	40 mm	left/up	nickel plated	6x5 divided and undivided or 8x7 divided	10 pcs	
8501.45102	45 mm	right/down	nickel plated	6x5 divided and undivided or 8x7 divided	10 pcs	
8501.45202	45 mm	left/up	nickel plated	6x5 divided and undivided or 8x7 divided	10 pcs	

System Furore Interchangeable cylinder cores



Dead locks or espagnolette locks

Article 8505

Surface mounted; metal case; with lateral dead bolt

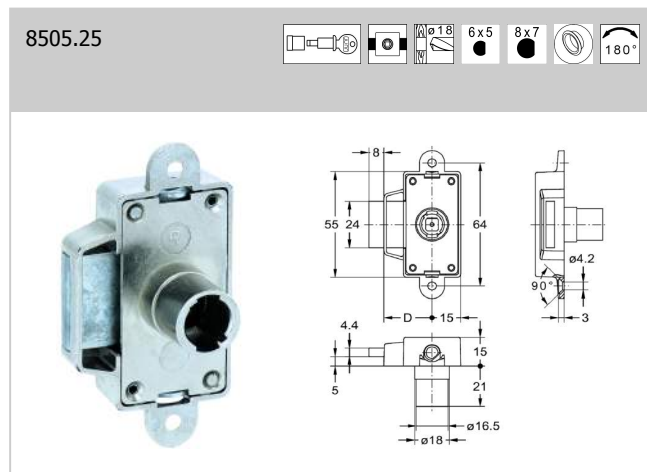
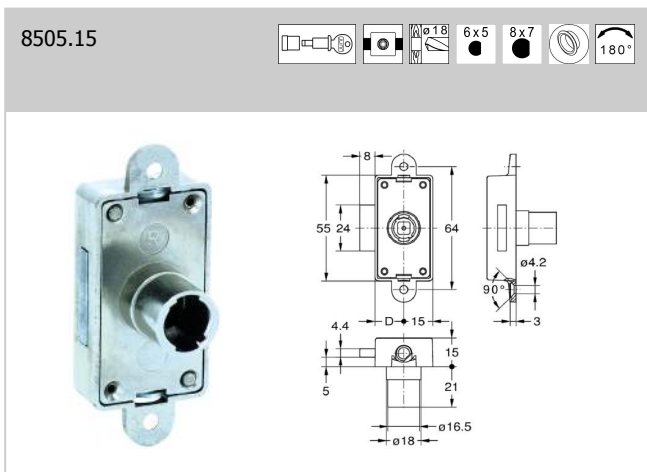
Also available with mounted dowels (2517, 2518)

Additional information

Compatible knobs on pages 02.10-02.12

Art. accessories (excluded)

0065 Rod $\varnothing 6$	page 16.2
0087 Rod $\varnothing 8$	page 16.3
2401 Complete accessories set for fix assembly	page 16.5
2402 Complete accessories set for fit assembly	page 16.5
8535 Interchangeable cylinder core	page 02.3
8536 Interchangeable core	page 02.5



article-no.	backset	finish	rods	pack.	stock
8505.15002	15 mm	nickel plated	divided	10 pcs	✓
8505.25002	25 mm	nickel plated	divided	10 pcs	✓

- 01
- 02
- 03
- 04
- 05
- 06
- 07
- 08
- 09
- 10
- 11
- 12
- 13
- 14
- 15
- 16
- 17
- 18

System Furore Interchangeable cylinder cores



*Bezeichnete
Sache!*

Knobs, rotating and lockable

Article 8521

Metal knob; rotating and lockable; with 4 black rubber rings and compensating plate for optimal fit

Article 8551

Metal knob; rotating and lockable; with 1 groove and compensating plate for optimal fit

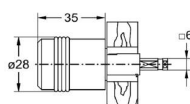
Article 8561

Metal knob; rotating and lockable; with 2 grooves and compensating plate for optimal fit

8521



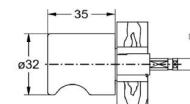
Option



8551



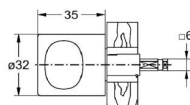
Option



8561



Option



Art. accessories (excluded)

1294 Disassembly pin

page 16.32

8535 Interchangeable cylinder core

page 02.3

8536 Interchangeable core

page 02.5

article-no.	locking direction	finish	system	thickness	ø knob	pack.	stock
8521.18102	right	satin silver	Furore	up to 21 mm	28 mm	10 pcs	✓
8521.18202	left	satin silver	Furore	up to 21 mm	28 mm	10 pcs	✓
8551.18102	right	satin silver	Furore	up to 21 mm	32 mm	10 pcs	✓
8551.18202	left	satin silver	Furore	up to 21 mm	32 mm	10 pcs	✓
8561.18102	right	satin silver	Furore	up to 21 mm	32 mm	10 pcs	✓
8561.18202	left	satin silver	Furore	up to 21 mm	32 mm	10 pcs	✓

System Furore Interchangeable cylinder cores



Knobs, rotating

Article 8523

Metal knob; rotating; with 4 black rubber rings and compensating plate for optimal fit

Article 8553

Metal knob; rotating; with 1 groove and compensating plate for optimal fit

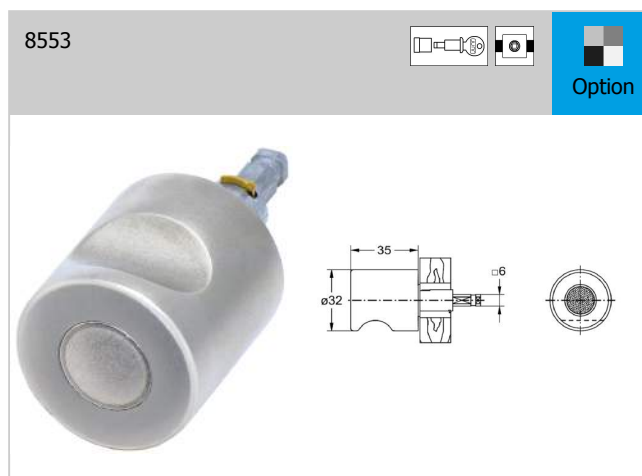
Article 8563

Metal knob; rotating; with 2 grooves and compensating plate for optimal fit

Art. accessories (excluded)

1294 Disassembly pin

page 16.32



article-no.	finish	system	thickness	ø knob	pack.	stock
8523.18002	satin silver	Furore	up to 21 mm	28 mm	10 pcs	✓
8553.18002	satin silver	Furore	up to 21 mm	32 mm	10 pcs	✓
8563.18002	satin silver	Furore	up to 21 mm	32 mm	10 pcs	✓

- 01
- 02
- 03
- 04
- 05
- 06
- 07
- 08
- 09
- 10
- 11
- 12
- 13
- 14
- 15
- 16
- 17
- 18

System Furore Interchangeable cylinder cores



Knobs, fixed

Article 8525

Metal knob; brass nickel plated cover plate; fixed;
with 4 black rubber rings

Art. accessories (included)

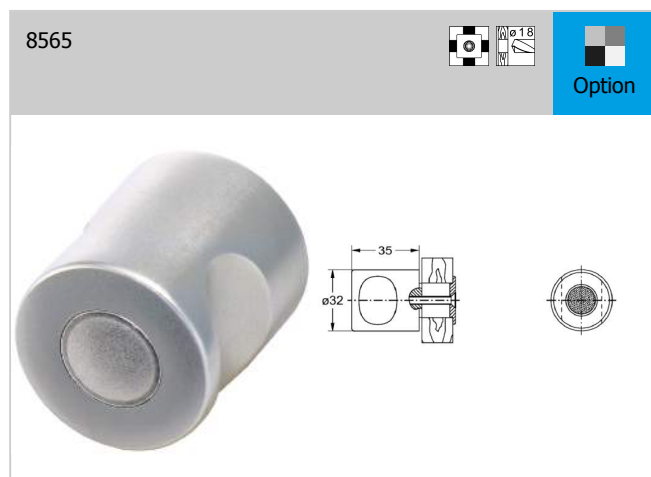
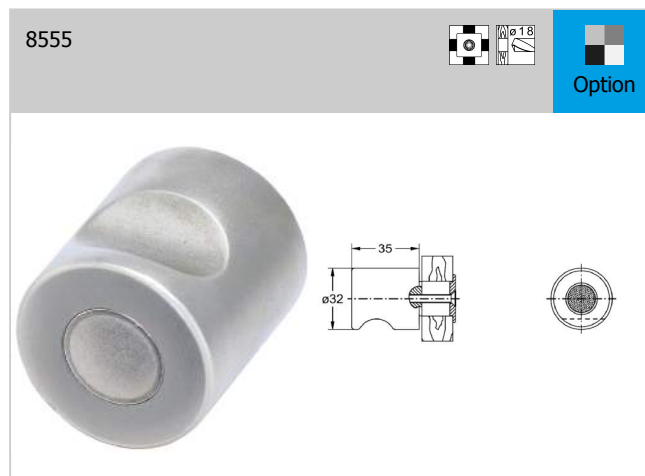
1 x 4x30 screw
1 x Cover plate

Article 8555

Metal knob; brass nickel plated cover plate; fixed;
with 1 groove

Article 8565

Metal knob; brass nickel plated cover plate; fixed;
with 2 grooves



article-no.	finish	system	thickness	ø knob	pack.	stock
8525.18002	satin silver	Furore	10 - 21 mm	28 mm	10 pcs	✓
8555.18002	satin silver	Furore	10 - 21 mm	32 mm	10 pcs	✓
8565.18002	satin silver	Furore	10 - 21 mm	32 mm	10 pcs	✓

System Furore Interchangeable cylinder cores



*Bezahlene
Sache!*

Cylinder can locks

Article 8570

Metal cam lock; with thread

Article 8573

Metal cam lock; nickel plated metal fixing plate

Additional information

More cam types on page 05.02

Compatible knobs on pages 02.10-02.12

Art. accessories (excluded)

8535 Interchangeable cylinder core

page 02.3

8536 Interchangeable core

page 02.5

8570 accessories (included)

1 x 2619 Nut M19

1 x 2660 Lever

page 05.16

1 x 2663 Fastening screw

1 x Spacer

1 x Retaining clamp for thickness of 1mm and 4mm

1 x Tooth lock washer

8573 accessories (included)

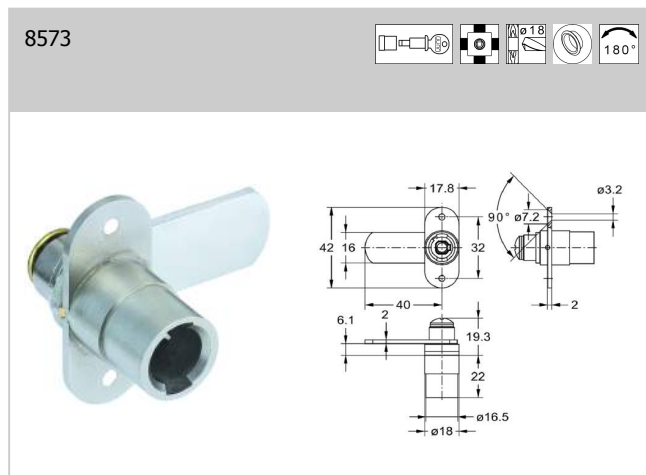
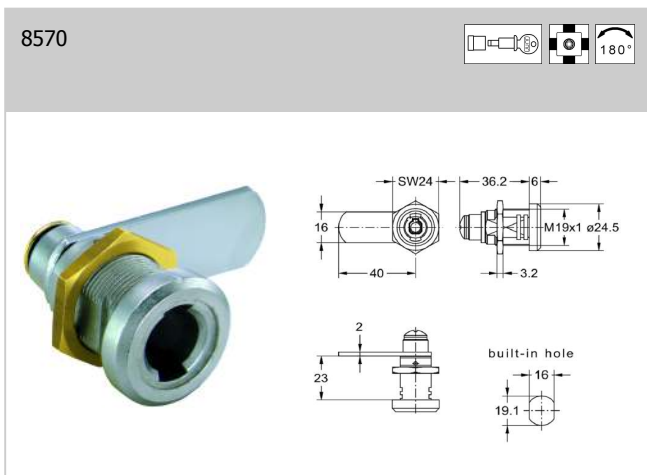
1 x 2660 Lever

page 05.16

1 x 2663 Fastening screw

1 x Spacer

1 x Tooth lock washer



article-no.	Lever movement	thickness	pack.	stock
8570.00002	1 - 8	1 - 12 mm	5 pcs	✓
8573.00002	42012	up to 19 mm; with 8535.xxxxx.026 extended up to 26 mm	5 pcs	✓

01
02
03
04
05
06
07
08
09
10
11
12
13
14
15
16
17
18

System Furore

Interchangeable cylinder cores



*Bezahlene
Sache!*

Knob cylinder

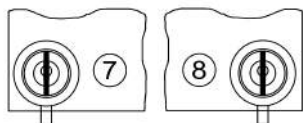
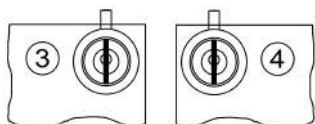
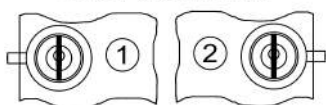
Article 8578

Metal; lockable; with latch; not suitable for knobs

Article 8579

Metal; lockable; not suitable for knobs

Lever movements



Art. accessories (included)

1 x 2701 Locking case page 16.31
 1 x 2702 Locking case page 16.31
 1 x 2703 Locking case page 16.31
 1 x 2704 Strike plate page 16.31
 3 x Rubber ring
 2 x M2.5x20 screw

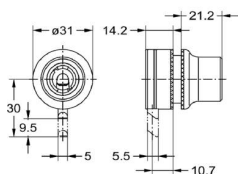
Art. accessories (excluded)

8535 Interchangeable cylinder core page 02.3
 8536 Interchangeable core page 02.5

8578



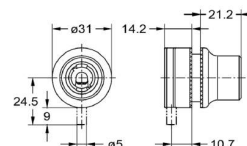
Option



8579



Option



article-no.	Lever movement	finish	thickness	pack.	stock
8578.00102	3, 7	nickel plated	4 - 6 mm	31	1 pcs ✓
8578.00202	1, 2, 4, 8	nickel plated	4 - 6 mm	31	1 pcs ✓
8579.00102	3, 7	nickel plated	4 - 6 mm	31	1 pcs ✓
8579.00202	1, 2, 4, 8	nickel plated	4 - 6 mm	31	1 pcs ✓

System Furore Interchangeable cylinder cores



Glass door cam lock and fixing plate

Article 8571

Metal cam lock

Article 8572

Metal counter plate, two-piece with screw fixture

Additional information

Cam movements on page 05.02

Compatible knobs on pages 02.10-02.12

8571 accessories (included)

1 x 2572 angular strike plate page 16.22

1 x 2619 Nut M19

1 x 2634 Cover plate with plastic washer

1 x 2660 Lever page 05.16

1 x Spacer

1 x M6x5 screw

1 x Tooth lock washer

8571 accessories (excluded)

8535 Interchangeable cylinder core page 02.3

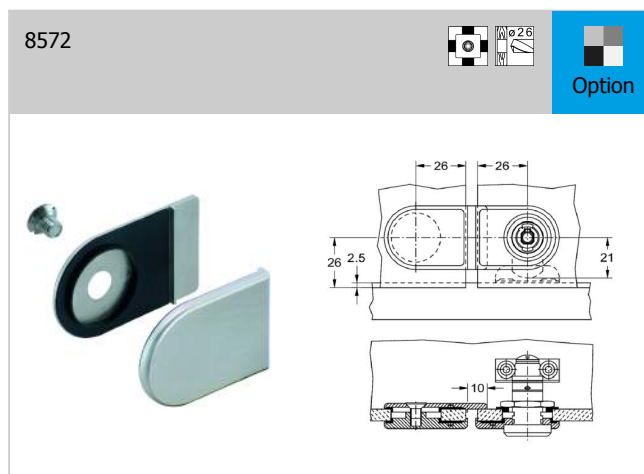
8536 Interchangeable core page 02.5

8572 accessories (included)

2 x Plastic washer

1 x M6x8 screw

1 x M6x12 screw



article-no.	Lever movement	finish	thickness	pack.	stock
8571.00002	1 - 8	nickel plated	4 - 10 mm	1 pcs	✓
8572.00002		nickel plated	4 - 10 mm	1 pcs	✓

- 01
- 02
- 03
- 04
- 05
- 06
- 07
- 08
- 09
- 10
- 11
- 12
- 13
- 14
- 15
- 16
- 17
- 18

01

System Furore Interchangeable cylinder cores



02

Cylinder lock for runner mounting

03

Article 8575

Metal push cylinder lock for sliding glass doors;

04

disc tumbler cylinder,

fastening part convertible from right to left

05

compatible to Furore system, cylinder core not exchangeable

Article 8576

Metal push cylinder lock for sliding glass doors;

06

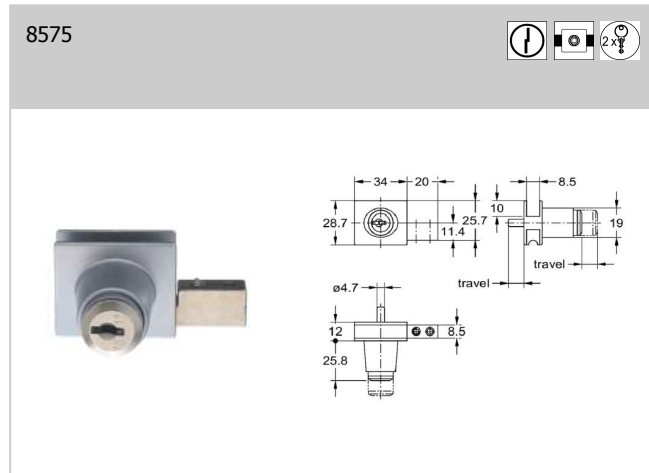
5 pin tumblers;

fastening part convertible from right to left

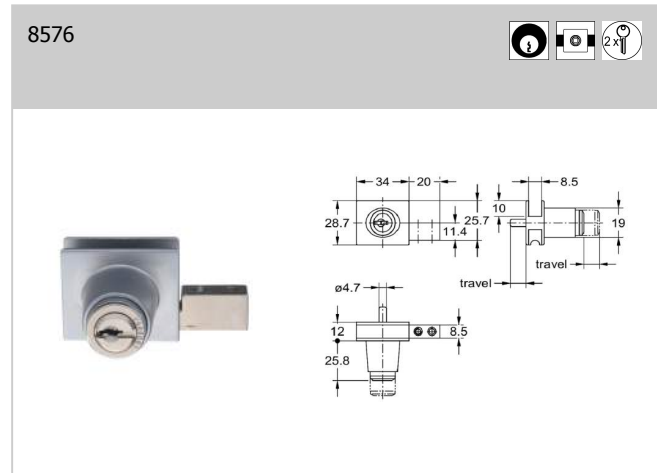
07

compatible to ILS system

08



09



10

11

article-no.	finish	throw	thickness	pack.	stock
8575.00006	steel, mat chrome plated	9,5 mm	8,5 mm	1 pcs	
8576.00006	steel, mat chrome plated	9,5 mm	8,5 mm	1 pcs	

12

13

14

15

16

17

18

System Furore Interchangeable cylinder cores



Push cylinder

Article 8511

Metal push cylinder

Artikel 8574

Metal push cylinder

Additional information

Compatible knobs on pages 02.10-02.12

Art. accessories (included)

8535 Interchangeable cylinder core

page 02.3

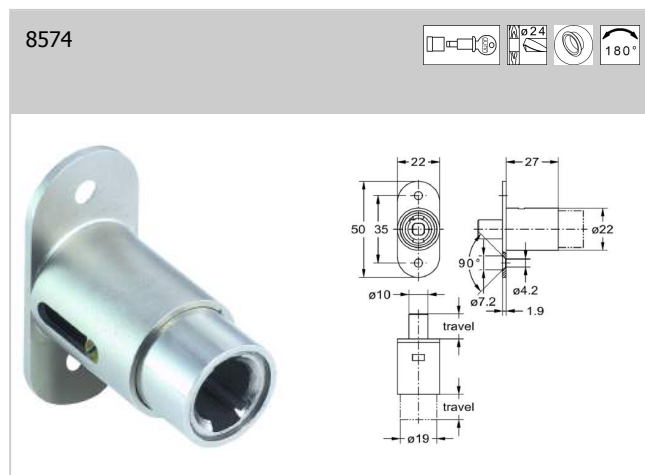
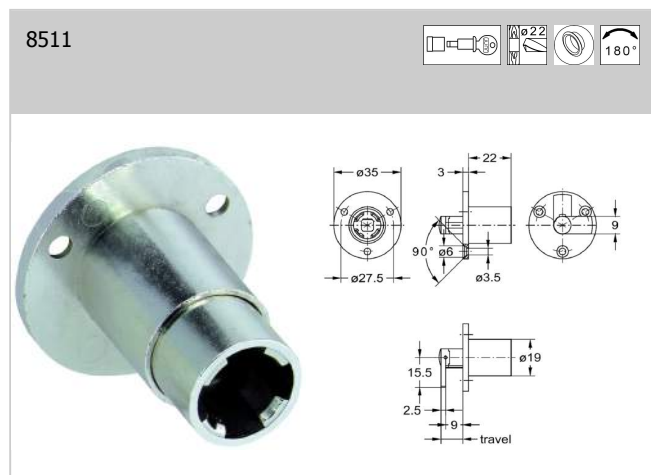
8536 Interchangeable core

page 02.5

8574 accessories (included)

1 x 2638 Locking case

page 16.30



article-no.	finish	throw	pack.	stock
8511.00002	nickel plated	11,5 mm	10 pcs	✓
8574.00002	nickel plated	13 mm	5 pcs	✓

- 01
- 02
- 03
- 04
- 05
- 06
- 07
- 08
- 09
- 10
- 11
- 12
- 13
- 14
- 15
- 16
- 17
- 18



*Bestklassene
Sache!*

Basquill dead locks

Article 8507

Surface mounted; metal case

Additional information

Compatible knobs on pages 02.10-02.12

Art. accessories (included)

4 x 2361 Rod guide

page 16.10

2 x 2370 Strike plate for rods

page 16.30

Art. accessories (excluded)

0103 Rod 10x3

page 16.4

1288 Roller strike plate

page 16.30

8535 Interchangeable cylinder core

page 02.3

8536 Interchangeable core

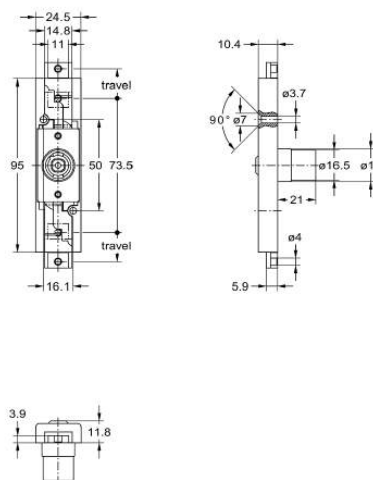
page 02.5

8507



SZ

Option



article-no.	swing direction	finish	throw	pack.	stock
8507.00102	right	nickel plated	15,5 mm	5 pcs	✓
8507.00202	left	nickel plated	15,5 mm	5 pcs	

System Furore Interchangeable cylinder cores



Central locking devices for frontside mounting

Article 8592

For operating **blum** drawer system "Legrabox"; central lock for "Container" (unilateral locking); TIP-ON-able

Article 8593

For operating **blum** drawer system "Legrabox"; central lock for "Card-index cabinet" (mutual locking); TIP-ON-able

Additional information

Suitable for high and low box systems; customer logo on request;

Calculation tool for mounting on www.junie.de

8592
for Container

8592 set central locking system
for individual adaptation

0162 profile rod incl. accessories
8518 central lock
8535 cylinder core
1353 locking plates

8593
for card-index cabinet

8593 set central locking system
for individual adaptation

0163 profile rods incl. accessories
8507 central lock
8535 cylinder core
1353 locking plates
0103 profile rods

article-no.	locking plate	system	drawers	length of central locking bar	pack.	stock
8592.04102.019-65	mat orion grey	Legrabox	4	1000 mm	1 pcs	✓
8592.04102.019-25	mat silky white	Legrabox	4	1000 mm	1 pcs	✓
8592.05102.019-65	mat orion grey	Legrabox	5	1000 mm	1 pcs	✓
8592.05102.019-25	mat silky white	Legrabox	5	1000 mm	1 pcs	✓
8592.06102.019-65	mat orion grey	Legrabox	6	1000 mm	1 pcs	✓
8592.06102.019-25	mat silky white	Legrabox	6	1000 mm	1 pcs	✓
8592.07102.019-65	mat orion grey	Legrabox	7	1000 mm	1 pcs	✓
8592.07102.019-25	mat silky white	Legrabox	7	1000 mm	1 pcs	✓
8593.04102.019-65	mat orion grey	Legrabox	4	1400 mm	1 pcs	✓
8593.04102.019-25	mat silky white	Legrabox	4	1400 mm	1 pcs	✓
8593.05102.019-65	mat orion grey	Legrabox	5	1400 mm	1 pcs	✓
8593.05102.019-25	mat silky white	Legrabox	5	1400 mm	1 pcs	✓
8593.06102.019-65	mat orion grey	Legrabox	6	1400 mm	1 pcs	✓
8593.06102.019-25	mat silky white	Legrabox	6	1400 mm	1 pcs	✓
8593.07102.019-65	mat orion grey	Legrabox	7	1400 mm	1 pcs	✓
8593.07102.019-25	mat silky white	Legrabox	7	1400 mm	1 pcs	✓

System Furore Interchangeable cylinder cores



Central locking devices for frontside mounting

Article 8594

For operating **blum** drawer system "Tandembox (Intivo or Antaro)";

central lock for "Card-idex cabinet" (mutual locking); TIP-ON-able

Article 8595

For operating **blum** drawer system "Tandembox (Intivo or Antaro)";

central lock for "Container" (unilateral locking); TIP-ON-able

Additional information

Calculation tool for mounting on www.junie.de

8594
for card-index cabinet

8594 set central locking system
for individual adaptation

- 0163 profile rods incl. accessories
- 8507 central lock
- 8535 cylinder core
- 1358 locking plates (high)
- 1359 locking plates (low)
- 0103 profile rods

8595
for Container

8595 set central locking system
for individual adaptation

- 0162 profile rod incl. accessories
- 8518 central lock
- 8535 cylinder core
- 1358 locking plates (high)
- 1359 locking plates (low)

article-no.	locking plate	system	drawers	length of central locking bar	pack.	stock
8594.04102.019-02	nickel plated	Tandembox	4	1400 mm	1 pcs	✓
8594.05102.019-02	nickel plated	Tandembox	5	1400 mm	1 pcs	✓
8594.06102.019-02	nickel plated	Tandembox	6	1400 mm	1 pcs	✓
8594.07102.019-02	nickel plated	Tandembox	7	1400 mm	1 pcs	✓
8595.04102.019-02	nickel plated	Tandembox	4	1000 mm	1 pcs	✓
8595.05102.019-02	nickel plated	Tandembox	5	1000 mm	1 pcs	✓
8595.06102.019-02	nickel plated	Tandembox	6	1000 mm	1 pcs	✓
8595.07102.019-02	nickel plated	Tandembox	7	1000 mm	1 pcs	✓

System Furore Interchangeable cylinder cores



Central locking devices for frontside mounting

Article 8596

For operating **blum** drawer system "Tandem/Movento";

central lock for "Card-idex cabinet" (mutual locking); TIP-ON-able

Article 8598

For operating **blum** drawer system "Tandem/Movento";

central lock for "Container" (unilateral); TIP-ON-able

Additional information

Calculation tool for mounting on www.junie.de

8596
for card-index cabinet



8596 set central locking system

for individual adaptation

0163 profile rods incl. accessories
8507 central lock
8535 cylinder core
1354 locking plates
0103 profile rods



8598
for Container



8598 set central locking system

for individual adaptation

0162 profile rod incl. accessories
8518 central lock
8535 cylinder core
1354 locking plates



article-no.	locking plate	system	drawers	length of central locking bar	pack.	stock
8596.04102.019-24	zinc-coated	Tandem/Movento	4	1400 mm	1 pcs	✓
8596.05102.019-24	zinc-coated	Tandem/Movento	5	1400 mm	1 pcs	✓
8596.06102.019-24	zinc-coated	Tandem/Movento	6	1400 mm	1 pcs	✓
8596.07102.019-24	zinc-coated	Tandem/Movento	7	1400 mm	1 pcs	✓
8598.04102.019-24	zinc-coated	Tandem/Movento	4	1000 mm	1 pcs	✓
8598.05102.019-24	zinc-coated	Tandem/Movento	5	1000 mm	1 pcs	✓
8598.06102.019-24	zinc-coated	Tandem/Movento	6	1000 mm	1 pcs	✓
8598.07102.019-24	zinc-coated	Tandem/Movento	7	1000 mm	1 pcs	✓

System Furore Interchangeable cylinder cores



*Bestimmte
Sache!*

Central locking devices for frontside mounting

Article 8518

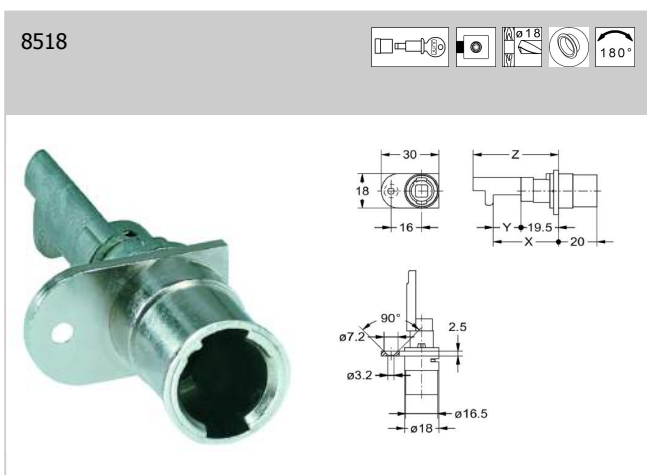
Metal mounting plate and housing ; for operating **blum** drawer system;

central lock for "Container" (unilateral locking)

Additional information

Compatible knobs on pages 02.10-02.12

Knobs cannot be dismantled once installed



article-no.	swing direction	finish	system	dimension X	dimension Y	dimension Z	pack.	stock
8518.34102	right	nickel plated	Legrabox/Tandem/Movento	34 mm	14,5 mm	44,5 mm	10 pcs	✓
8518.41102	right	nickel plated	Tandembox/Intivo/Antaro	41 mm	22,5 mm	51,5 mm	10 pcs	✓

- 01
- 02
- 03
- 04
- 05
- 06
- 07
- 08
- 09
- 10
- 11
- 12
- 13
- 14
- 15
- 16
- 17
- 18



*Bezeichnete
Sache!*

Central locking devices

Article 8516

Metal housing; suitable with or without drawer catches;

for system **Standard**; central lock for "Container" (unilateral locking)

Compatible knobs on pages 02.10-02.12

Article 8517

Metal housing; suitable with or without drawer catches;

for system **Hettich**; central lock for "Container" (unilateral locking)

Additional information

Compatible knobs on pages 02.10-02.12

Knobs cannot be removed once mounted

Art. accessories (excluded)

8535 Interchangeable cylinder core

page 02.3

8536 Interchangeable core

page 02.5

8516 accessories (excluded)

0154 central locking bar

page 13.16

0160 central locking bar

page 13.17

0161 central locking bar

page 13.17

1340 Locking pin

page 13.18

1345 Locking pin

page 13.18

1382 Drawer catch

page 13.20

1385 Rod guide

page 13.19

1386 Rod guide

page 13.19

1387 Ball catch

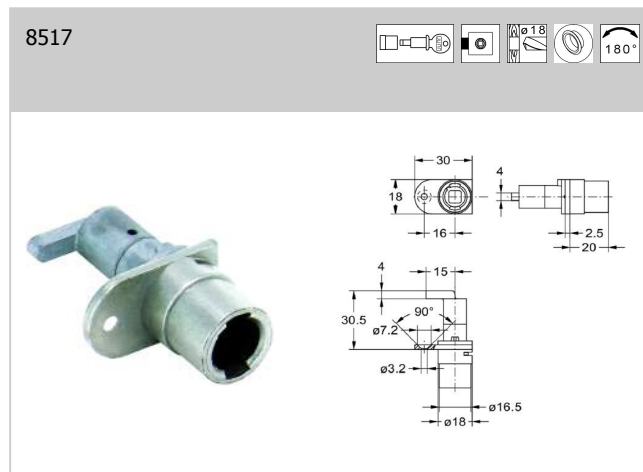
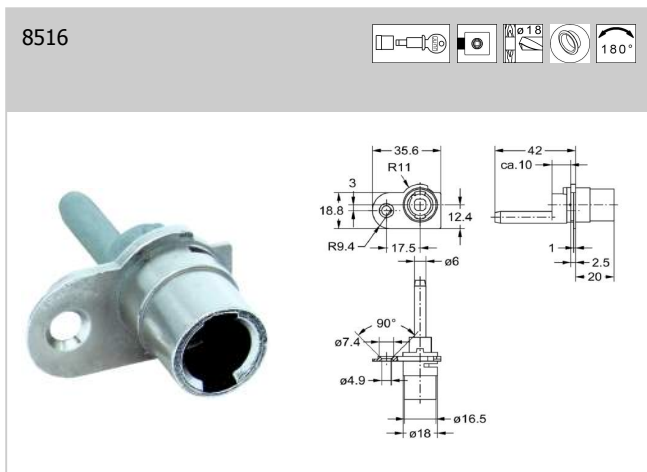
page 13.20

6042 Locking pin

page 13.19

6045 Locking pin extension

page 13.19



article-no.	finish	throw	system	pack.	stock
8516.00102	nickel plated	12 mm	Standard	10 pcs	✓
8517.00102	nickel plated		Hettich	10 pcs	✓

System Furore Interchangeable cylinder cores



*Bezeichnete
Sache!*

Adapter for ILS/Furore connection

Article 8510

Metal cylinder body, combines systems ILS and Furore

Additional information

Compatible knobs on pages 02.10-02.12

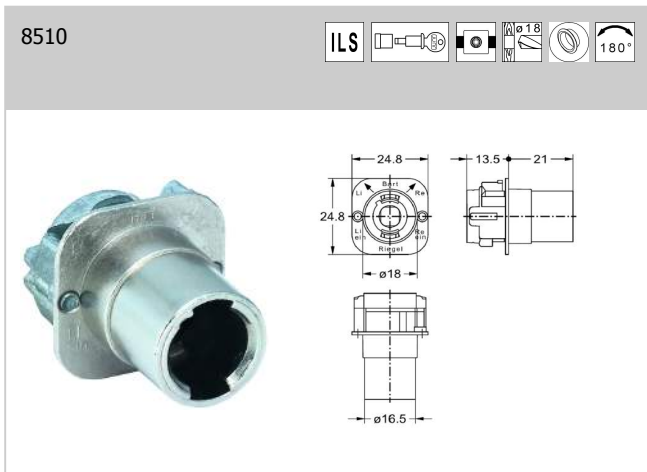
8510 accessories (excluded)

1 x 8535 Interchangeable cylinder core

1 x 8536 Interchangeable core

page 02.3

page 02.5



article-no.	cylinder finish	pack.	stock
8510.00002	nickel plated	5 pcs	✓

- 01
- 02
- 03
- 04
- 05
- 06
- 07
- 08
- 09
- 10
- 11
- 12
- 13
- 14
- 15
- 16
- 17
- 18

